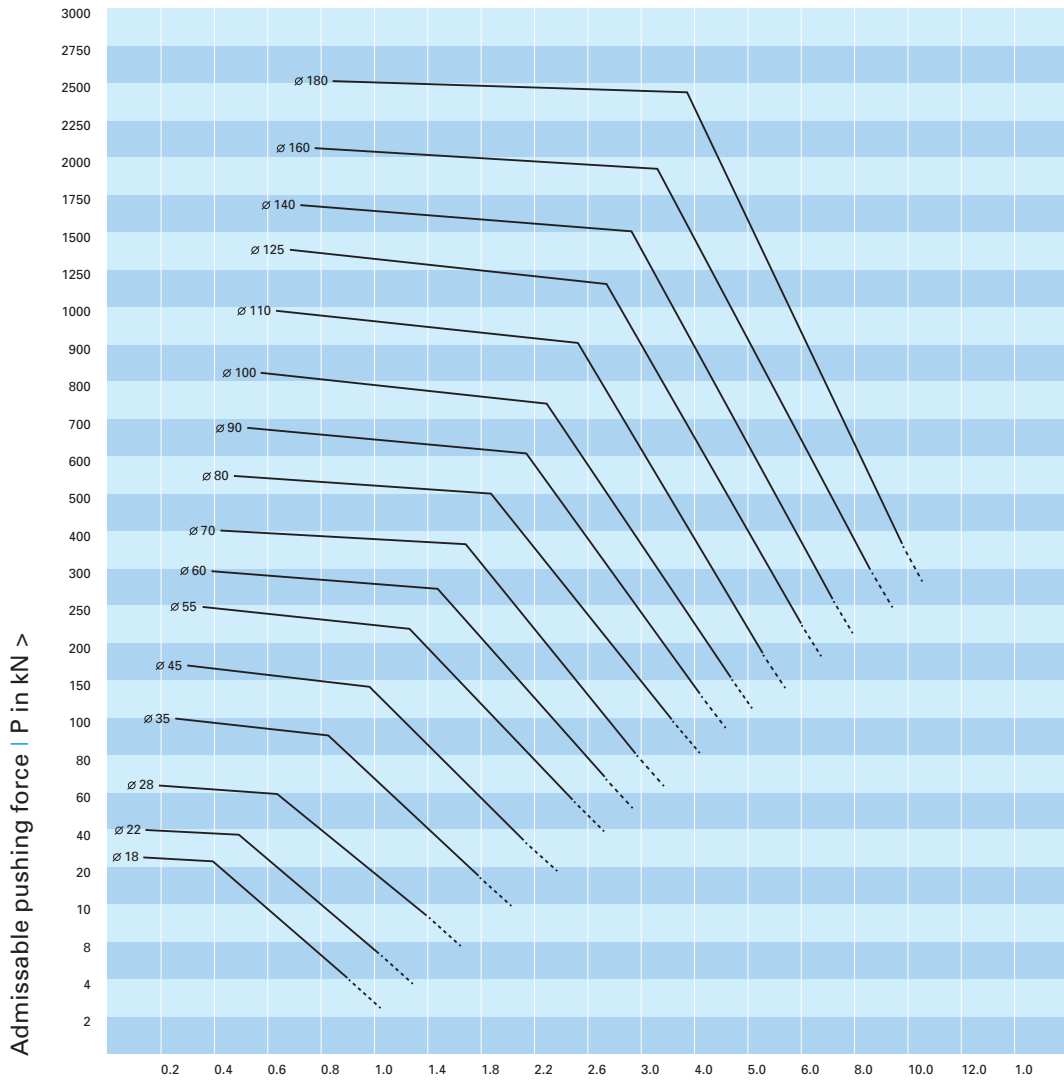
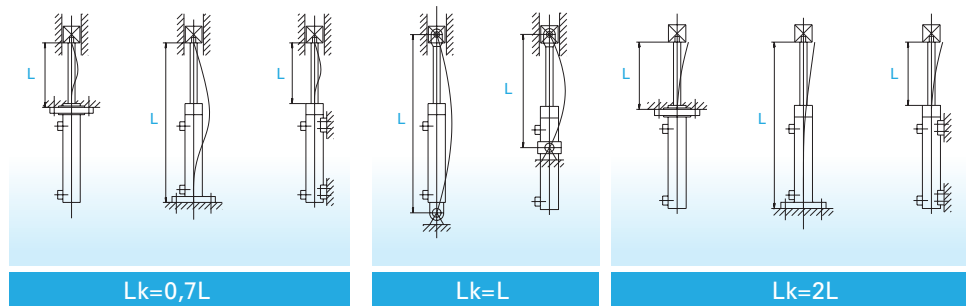


# PISTON LOAD BUCKLING DIAGRAM



Buckling length Lk in M | Safety factor  $v=3$  | Piston rod not subject to side load



S.C. Mures Hidraulici S.R.L.

P.o. Box 43, Ofp1  
RO-540600 Targu Mures

Str. Principale 265 C  
RO-547365 Livezeni

Phone +40 (0)265 255 282  
Fax +40 (0)265 255 492  
info@mureshidraulici.com  
www.mureshidraulici.ro  
CIF RO16143201  
Company Reg. Targu Mures No.  
J26/252/16.01.2004



Numbers above are indicative. No rights can be derived from this sheet.  
Values may vary. Contact us for exact calculations for your project.